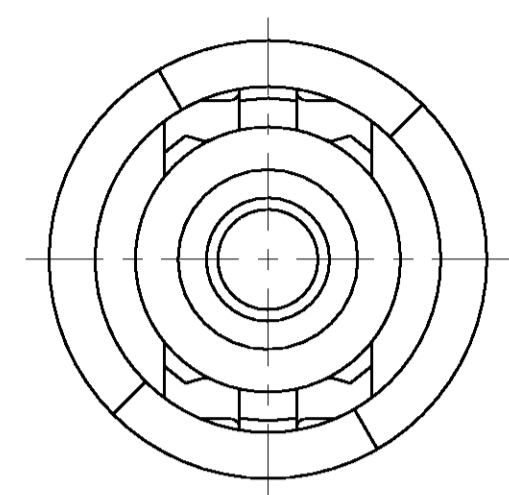
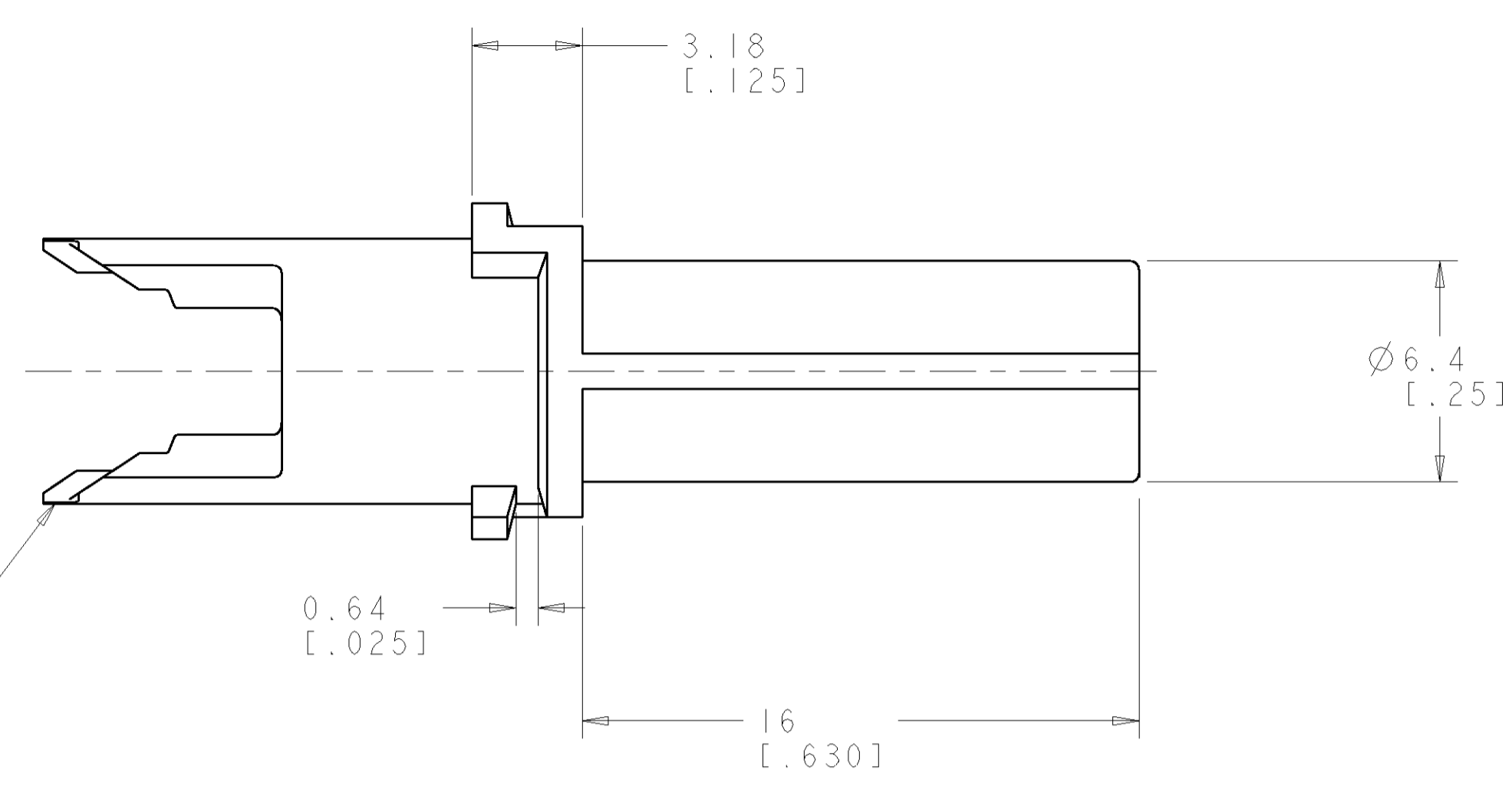


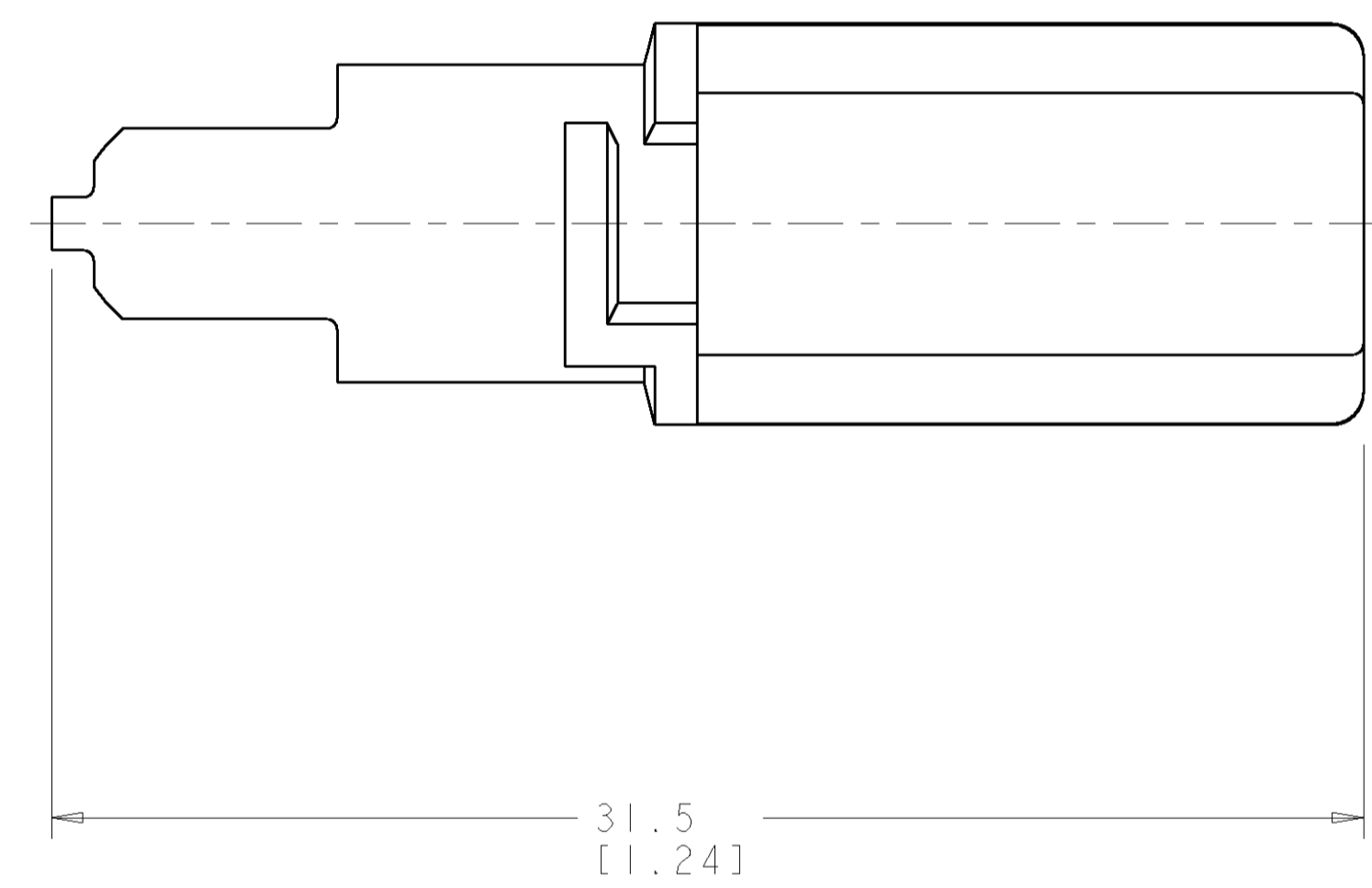
LOC		DIST		REVISIONS			
CM	00	P	LTR	DESCRIPTION	DATE	DWN	APVD
		G		REVISED PER 0638-0222-01	08MAR2002	KW	DC



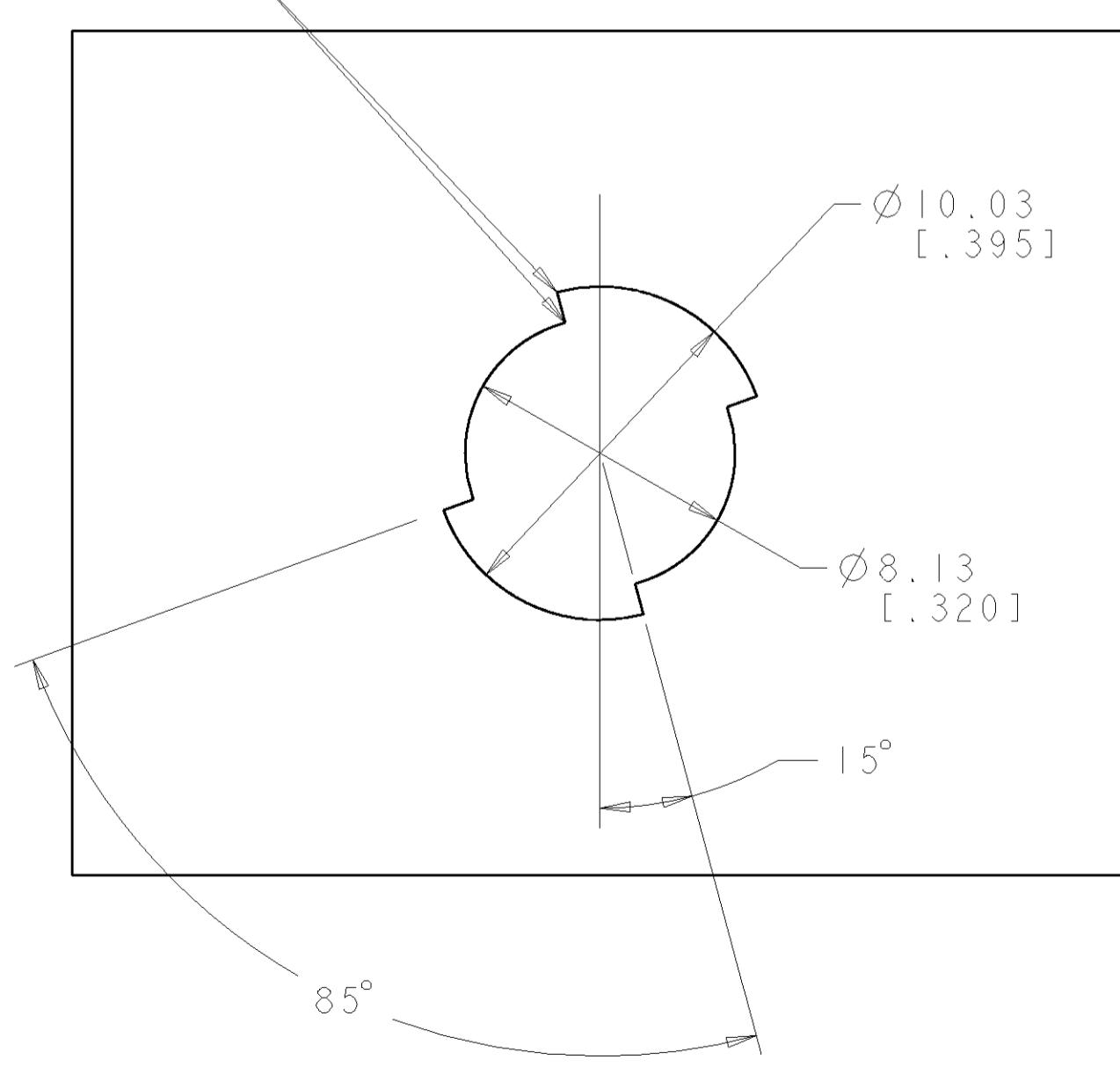
POSITIVE LOCK IDENTIFICATION



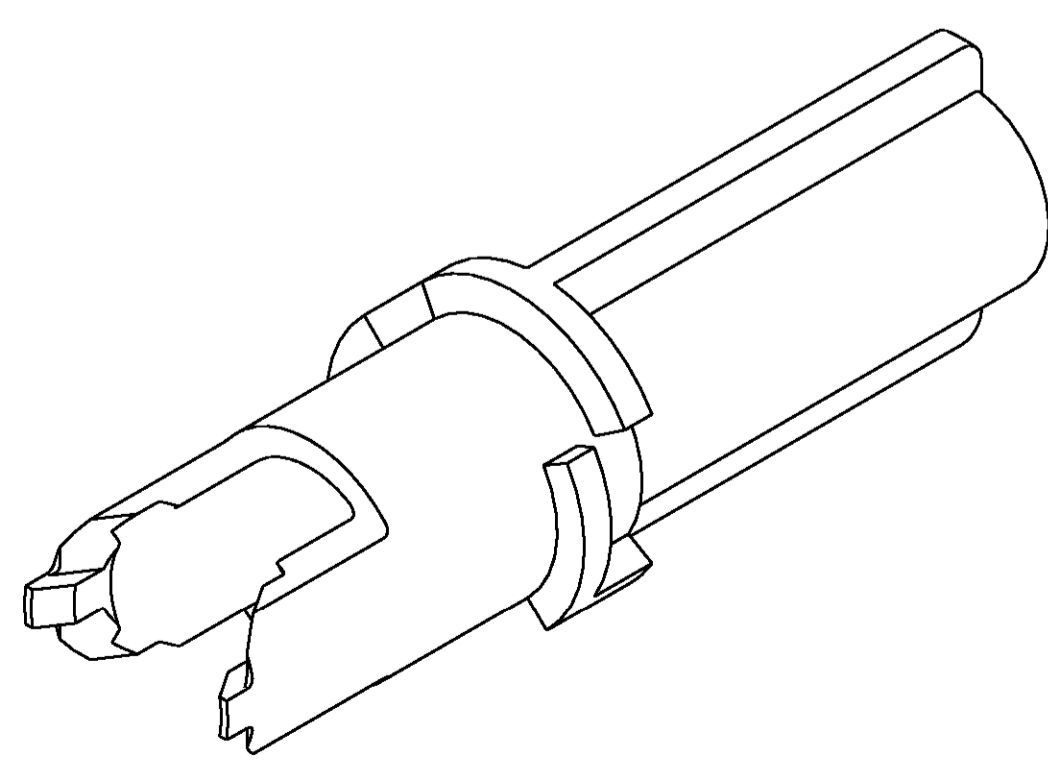
- 2. MATES WITH PLUG 480358.
- 3. 0.13 [.005] MAX FLASH PERMITTED.



R 0.51 [.020] MAX



PANEL CUT OUT
 PANEL THICKNESS 0.76-1.02 [.030-040]
 SCALE 5:1



SCALE 5:1

1-480357-0
 PART NUMBER

<small>THIS DRAWING IS UNPUBLISHED. RELEASED FOR PUBLICATION. IT IS THE PROPERTY OF TYCO ELECTRONICS CORPORATION. IT IS TO BE KEPT UNPUBLISHED AND NOT TO BE REPRODUCED OR TRANSMITTED IN ANY FORM OR BY ANY MEANS, ELECTRONIC OR MECHANICAL, INCLUDING PHOTOCOPYING, RECORDING, OR BY ANY INFORMATION STORAGE AND RETRIEVAL SYSTEM. WITHOUT THE WRITTEN PERMISSION OF TYCO ELECTRONICS CORPORATION.</small>		DWN R. WHITAKER 08MAR2002	Tyco Electronics Harrisburg, PA 17105-3608
DIMENSIONS: mm [INCHES]		ESK D. COLEY 08MAR2002	NAME SINGLE CIRCUIT MATE-N-LOK™ CAP
TOLERANCES UNLESS OTHERWISE SPECIFIED: 0 PLC ± 1 PLC ± 2 PLC ±0.13 [.005] 3 PLC ± 4 PLC ± ANGLES ±1°		APVD D. COLEY 08MAR2002	PRODUCT SPEC APPLICATION SPEC
MATERIAL NYLON NATURAL		FINISH -	WEIGHT -
CUSTOMER DRAWING		SIZE A1	CAGE CODE C=480357
SCALE 6:1		SHEET 1 OF 1	REV G

